



Ocular Karickhoff Vitreous Lenses


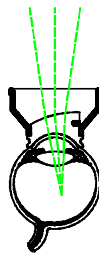
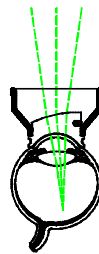
Ocular Karickhoff 21mm Vitreous Lens

CE	Product Code	Image Mag	Laser Spot Mag	Contact OD	Lens Height		
	OJKY-21	1.39X	.72X	15.5mm	16mm	Designed with: John Karickhoff, M.D., Falls Church, Virginia, U.S.A.	

Design

- Most useful lens for laser treatment of vitreous floaters
- Good coning of laser beam
- Small flange prevents lens being squeezed off eye by patient
- Small exterior diameter enables lens to be inserted into an eye with small lid fissures
- Light weight, plastic helps to retain lens on eye
- Serrated edge for easy grip
- Lens allows surgeon to view retina clearly in most patients during procedure to check for hemorrhage

Ocular Karickhoff Off-Axis Vitreous Lenses

CE	Product Code	Image Mag	Laser Spot Mag	Contact OD	Lens Height		OJKPY-25	OJKPY-30
	OJKPY-25	1.36X	.74X	15.5mm	16.5mm	Designed with: John Karickhoff, M.D., Falls Church, Virginia, U.S.A.		
	OJKPY-30	1.25X	.80X					

Design

- Lenses very helpful in treating off-axis floaters
- Rotating the lens allows looking for floaters without patient moving their eye
- OJKPY-30 improves the treatment of floaters deeper in the eye than the OJKPY-25
- Black mark in lens indicates the direction of peripheral view
- Anterior lens surface design reduces image astigmatism and image degradation when tilting the lens
- Small flange prevents lens being squeezed off eye by patient

Cleaning and Disinfection

See Cleaning Method 1



2255 116th Ave NE, Bellevue, Washington 98004-3039 USA
 T: 425-455-5200 or 800-888-6616 F: 425-462-6669
 E: ocular@ocularinc.com I: www.ocularinc.com

© 2005 Ocular Instruments
 8842D3275